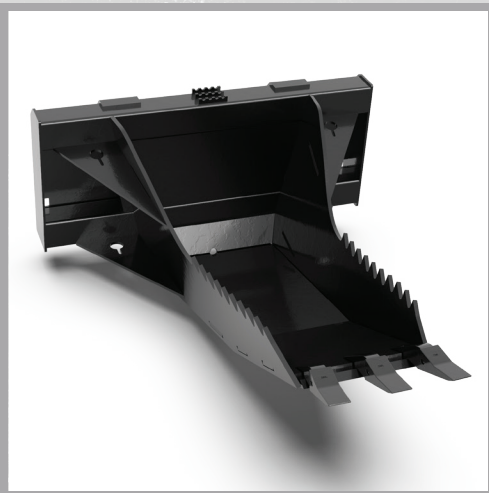




2023 DEALER GUIDE



Distributor - Western USA
ELLIS EQUIPMENT CO
Logan UT 800-949-2336
www.ellisequipment.com

See Pricing Guide, page 14

INNOVATION | AT THE CORE™

2 **HYDRAULIC AUGER DRIVES**

LC-SERIES	2
M-SERIES	3
H-SERIES	4
HTLS-SERIES	5
EQUIPMENT MOUNTS	6
HOSE KITS	8
AUGER EXTENSIONS	9
DRIVE ADAPTERS	9

10 **AUGER SOLUTIONS**

DCA-SERIES	10
SDA-SERIES	11
BHD-SERIES	12
BULLET SERIES	13
SPIRAL SERIES	13
TREE AND SHRUB AUGERS	14
PUFF AUGERS	14
PRICING GUIDE	14

15 **STUMP BUCKETS**

16 **TM-48 BELLTEC DIGGER**

17 **LIMITED WARRANTY**

HYDRAULIC AUGER DRIVES

Belltec offers a complete four-series lineup of hydraulic auger drives to meet the performance needs of modern equipment operators. Constructed with highest-quality components, expect years of top performance and reliability backed with the best warranty on the market.



LC-SERIES

**HARD-HITTING,
SUB-COMPACT DESIGN**



M-SERIES

**CONDENSED POWER
& PERFORMANCE**



H-SERIES

**PREMIUM FEATURES
& PERFORMANCE**



HTLS-SERIES

**EXTREME TORQUE &
SEVERE CONDITIONS**



LC-150

113130
113130-KIT

\$2185
\$3102

Dimensions (Drive only)	10 x 10 x 28 in	Gear Train Type	Planetary
Weight Drive/Kit	150 lbs/277 lbs	Min./Max. Flow	6-15 GPM
Output Shaft Size	2-in Hex	Max. Continuous PSI	3000 PSI
Max. Dia. Dirt/Rock	18 in/18 in	Max. Intermittent PSI	3500 PSI

SPEED OUTPUT*	
6 GPM	36 RPM
10 GPM	61 RPM
15 GPM	91 RPM
20 GPM	—

TORQUE OUTPUT*	
2000 PSI	1008 ft. lbs.
2500 PSI	1260 ft. lbs.
3000 PSI	1512 ft. lbs.
3500 PSI	1764 ft. lbs.

113130 Includes:

Auger drive only. Attachment platform & hose kit not included.

113130-KIT Includes:

- LC-150 Hydraulic Auger Drive (113130)
- Belltec Universal Skid-steer Mount (QT100)
- 1/2" x 96" Hose Kit with Faster Flat Face Couplings (111385)

*All values are theoretical. Actual performance may vary.



LC-200

113131
113131-KIT

\$2270
\$3187

Dimensions (Drive only)	10 x 10 x 28 in	Gear Train Type	Planetary
Weight Drive/Kit	150 lbs/277 lbs	Min./Max. Flow	10-20 GPM
Output Shaft Size	2-in Hex	Max. Continuous PSI	3000 PSI
Max. Dia. Dirt/Rock	30 in/24 in	Max. Intermittent PSI	3500 PSI

SPEED OUTPUT*	
10 GPM	53 RPM
15 GPM	79 RPM
20 GPM	105 RPM
25 GPM	—

TORQUE OUTPUT*	
2000 PSI	1165 ft. lbs.
2500 PSI	1456 ft. lbs.
3000 PSI	1747 ft. lbs.
3500 PSI	2038 ft. lbs.

113131 Includes:

Auger drive only. Attachment platform & hose kit not included.

113131-KIT Includes:

- LC-200 Hydraulic Auger Drive (113131)
- Belltec Universal Skid-steer Mount (QT100)
- 1/2" x 96" Hose Kit with Faster Flat Face Couplings (111385)

*All values are theoretical. Actual performance may vary.





LC-300

113132
113132-KIT

\$2355
\$3272

Dimensions (Drive only)	10 x 10 x 28 in	Gear Train Type	Planetary
Weight Drive/Kit	150 lbs/277 lbs	Min./Max. Flow	15-30 GPM
Output Shaft Size	2-in Hex	Max. Continuous PSI	3000 PSI
Max. Dia. Dirt/Rock	36 in/36 in	Max. Intermittent PSI	3500 PSI

SPEED OUTPUT*	
15 GPM	55 RPM
20 GPM	73 RPM
25 GPM	92 RPM
30 GPM	110 RPM

TORQUE OUTPUT*	
2000 PSI	1674 ft. lbs.
2500 PSI	2092 ft. lbs.
3000 PSI	2511 ft. lbs.
3500 PSI	2929 ft. lbs.

113132 Includes:

- Auger drive only. Attachment platform & hose kit not included.

113132-KIT Includes:

- LC-300 Hydraulic Auger Drive (113132)
- Belltec Universal Skid-steer Mount (QT100)
- 1/2" x 96" Hose Kit with Faster Flat Face Couplings (111385)

*All values are theoretical. Actual performance may vary.



LC-350

113133
113133-KIT

\$2490
\$3407

Dimensions (Drive only)	10 x 10 x 28 in	Gear Train Type	Planetary
Weight Drive/Kit	151 lbs/278 lbs	Min./Max. Flow	20-35 GPM
Output Shaft Size	2-in Hex	Max. Continuous PSI	3000 PSI
Max. Dia. Dirt/Rock	36 in/36 in	Max. Intermittent PSI	3500 PSI

SPEED OUTPUT*	
20 GPM	61 RPM
25 GPM	76 RPM
30 GPM	91 RPM
35 GPM	106 RPM

TORQUE OUTPUT*	
2000 PSI	2016 ft. lbs.
2500 PSI	2520 ft. lbs.
3000 PSI	3025 ft. lbs.
3500 PSI	3529 ft. lbs.

113133 Includes:

- Auger drive only. Attachment platform & hose kit not included.

113133-KIT Includes:

- LC-350 Hydraulic Auger Drive (113133)
- Belltec Universal Skid-steer Mount (QT100)
- 1/2" x 96" Hose Kit with Faster Flat Face Couplings (111385)

*All values are theoretical. Actual performance may vary.



M-200

113028
113086 (KIT)

\$2560
\$3477

Dimensions (Drive only)	11 x 11 x 31 in	Gear Train Type	Planetary
Weight Drive/Kit	159 lbs/286 lbs	Min./Max. Flow	10-20 GPM
Output Shaft Size	2-in Hex	Max. Continuous PSI	3000 PSI
Max. Dia. Dirt/Rock	30 in/24 in	Max. Intermittent PSI	3500 PSI

SPEED OUTPUT*	
10 GPM	43 RPM
15 GPM	65 RPM
20 GPM	86 RPM
25 GPM	—

TORQUE OUTPUT*	
2000 PSI	1420 ft. lbs.
2500 PSI	1776 ft. lbs.
3000 PSI	2131 ft. lbs.
3500 PSI	2486 ft. lbs.

113028 Includes:

- Auger drive only. Attachment platform & hose kit not included.

113086 Includes:

- M-200 Hydraulic Auger Drive (113028)
- Belltec Universal Skid-steer Mount (QT100)
- 1/2" x 96" Hose Kit with Faster Flat Face Couplings (111385)

*All values are theoretical. Actual performance may vary.



M-300

113029
113087 (KIT)

\$2725
\$3642

Dimensions (Drive only)	11 x 11 x 31 in	Gear Train Type	Planetary
Weight Drive/Kit	162 lbs/288 lbs	Min./Max. Flow	15-30 GPM
Output Shaft Size	2-in Hex	Max. Continuous PSI	3000 PSI
Max. Dia. Dirt/Rock	36 in/36 in	Max. Intermittent PSI	3500 PSI

SPEED OUTPUT*	
15 GPM	45 RPM
20 GPM	60 RPM
25 GPM	75 RPM
30 GPM	90 RPM

TORQUE OUTPUT*	
2000 PSI	2041 ft. lbs.
2500 PSI	2550 ft. lbs.
3000 PSI	3062 ft. lbs.
3500 PSI	3572 ft. lbs.

113029 Includes:

- Auger drive only. Attachment platform & hose kit not included.

113087 Includes:

- M-300 Hydraulic Auger Drive (113029)
- Belltec Universal Skid-steer Mount (QT100)
- 1/2" x 96" Hose Kit with Faster Flat Face Couplings (111385)

*All values are theoretical. Actual performance may vary.





M-350

113030 \$2995
113088 (KIT) \$3912

Dimensions (Drive only)	11 x 11 x 31 in	Gear Train Type	Planetary
Weight Drive/Kit	192 lbs/319 lbs	Min./Max. Flow	20-35 GPM
Output Shaft Size	2-in Hex	Max. Continuous PSI	3000 PSI
Max. Dia. Dirt/Rock	36 in/36 in	Max. Intermittent PSI	3500 PSI

SPEED OUTPUT*	
20 GPM	50 RPM
25 GPM	62 RPM
30 GPM	75 RPM
35 GPM	87 RPM

TORQUE OUTPUT*	
2000 PSI	2459 ft. lbs.
2500 PSI	3075 ft. lbs.
3000 PSI	3688 ft. lbs.
3500 PSI	4303 ft. lbs.

113030 Includes:

- Auger drive only. Attachment platform & hose kit not included.

113088 Includes:

- M-350 Hydraulic Auger Drive (113030)
- Belltec Universal Skid-steer Mount (QT100)
- 1/2" x 96" Hose Kit with Faster Flat Face Couplings (111385)

*All values are theoretical. Actual performance may vary.



FIELD-SERVICEABLE OUTPUT SHAFT



H-Series Hydraulic Auger Drives feature an interchangeable 2-inch hex output shaft (part no. 113300-01) covered by our Belltec Lifetime Part Replacement Program. If this part ever breaks, ship it to us for a free replacement.



H-200

113001 \$3145
113083 (KIT) \$4062

Dimensions (Drive only)	11 x 11 x 35 in	Gear Train Type	Planetary
Weight Drive/Kit	183 lbs/310 lbs	Min./Max. Flow	10-20 GPM
Output Shaft Size	2-in Hex	Max. Continuous PSI	3000 PSI
Max. Dia. Dirt/Rock	30 in/24 in	Max. Intermittent PSI	3500 PSI

SPEED OUTPUT*	
10 GPM	43 RPM
15 GPM	65 RPM
20 GPM	86 RPM
25 GPM	—

TORQUE OUTPUT*	
2000 PSI	1420 ft. lbs.
2500 PSI	1776 ft. lbs.
3000 PSI	2131 ft. lbs.
3500 PSI	2486 ft. lbs.

113001 Includes:

- Auger drive only. Attachment platform & hose kit not included.

113083 Includes:

- H-200 Hydraulic Auger Drive (113001)
- Belltec Universal Skid-steer Mount (QT100)
- 1/2" x 96" Hose Kit with Faster Flat Face Couplings (111385)

*All values are theoretical. Actual performance may vary.



H-300

113014 \$3285
113084 (KIT) \$4202

Dimensions (Drive only)	11 x 11 x 35 in	Gear Train Type	Planetary
Weight Drive/Kit	185 lbs/312 lbs	Min./Max. Flow	15-30 GPM
Output Shaft Size	2-in Hex	Max. Continuous PSI	3000 PSI
Max. Dia. Dirt/Rock	36 in/36 in	Max. Intermittent PSI	3500 PSI

SPEED OUTPUT*	
15 GPM	45 RPM
20 GPM	60 RPM
25 GPM	75 RPM
30 GPM	90 RPM

TORQUE OUTPUT*	
2000 PSI	2041 ft. lbs.
2500 PSI	2550 ft. lbs.
3000 PSI	3062 ft. lbs.
3500 PSI	3572 ft. lbs.

113014 Includes:

- Auger drive only. Attachment platform & hose kit not included.

113084 Includes:

- H-300 Hydraulic Auger Drive (113014)
- Belltec Universal Skid-steer Mount (QT100)
- 1/2" x 96" Hose Kit with Faster Flat Face Couplings (111385)

*All values are theoretical. Actual performance may vary.





H-350

113016 \$3425
113085 (KIT) \$4342

Dimensions (Drive only)	11 x 11 x 35 in	Gear Train Type	Planetary
Weight Drive/Kit	216 lbs/343 lbs	Min./Max. Flow	20-35 GPM
Output Shaft Size	2-in Hex	Max. Continuous PSI	3000 PSI
Max. Dia. Dirt/Rock	36 in/36 in	Max. Intermittent PSI	3500 PSI

SPEED OUTPUT*	
20 GPM	50 RPM
25 GPM	62 RPM
30 GPM	75 RPM
35 GPM	87 RPM

TORQUE OUTPUT*	
2000 PSI	2459 ft. lbs.
2500 PSI	3075 ft. lbs.
3000 PSI	3688 ft. lbs.
3500 PSI	4303 ft. lbs.

113016 Includes:

- Auger drive only. Attachment platform & hose kit not included.

113085 Includes:

- H-350 Hydraulic Auger Drive (113016)
- Belltec Universal Skid-steer Mount (QT100)
- 1/2" x 96" Hose Kit with Faster Flat Face Couplings (111385)

*All values are theoretical. Actual performance may vary.



HTLS-6K

113078 \$4540
113092 (KIT) \$5455

Dimensions (Drive only)	11 x 11 x 31 in	Gear Train Type	Planetary
Weight Drive/Kit	232 lbs/359 lbs	Min./Max. Flow	6-15 GPM
Output Shaft Size	2-in Hex	Max. Continuous PSI	3000 PSI
Max. Dia. Dirt/Rock	36 in/36 in	Max. Intermittent PSI	3500 PSI

SPEED OUTPUT*	
6 GPM	10 RPM
10 GPM	16 RPM
15 GPM	24 RPM
20 GPM	—

TORQUE OUTPUT*	
2000 PSI	3841 ft. lbs.
2500 PSI	4802 ft. lbs.
3000 PSI	5762 ft. lbs.
3500 PSI	6722 ft. lbs.

113078 Includes:

- Auger drive only. Attachment platform & hose kit not included.

113092 Includes:

- HTLS-6K Hydraulic Auger Drive (113078)
- Belltec Universal Skid-steer Mount (QT100)
- 1/2" x 96" Hose Kit with Faster Flat Face Couplings (111385)

*All values are theoretical. Actual performance may vary.



HTLS-7K

113082 \$4815
113093 (KIT) \$5735

Dimensions (Drive only)	11 x 11 x 31 in	Gear Train Type	Planetary
Weight Drive/Kit	236 lbs/363 lbs	Min./Max. Flow	10-20 GPM
Output Shaft Size	2-in Hex	Max. Continuous PSI	3000 PSI
Max. Dia. Dirt/Rock	36 in/36 in	Max. Intermittent PSI	3500 PSI

SPEED OUTPUT*	
10 GPM	14 RPM
15 GPM	21 RPM
20 GPM	28 RPM
25 GPM	—

TORQUE OUTPUT*	
2000 PSI	4438 ft. lbs.
2500 PSI	5548 ft. lbs.
3000 PSI	6657 ft. lbs.
3500 PSI	7767 ft. lbs.

113082 Includes:

- Auger drive only. Attachment platform & hose kit not included.

113093 Includes:

- HTLS-7K Hydraulic Auger Drive (113082)
- Belltec Universal Skid-steer Mount (QT100)
- 1/2" x 96" Hose Kit with Faster Flat Face Couplings (111385)

*All values are theoretical. Actual performance may vary.



HTLS-10K

113077 \$5530
113094 (KIT) \$6445

Dimensions (Drive only)	14 x 14 x 33 in	Gear Train Type	Planetary
Weight Drive/Kit	299 lbs/426 lbs	Min./Max. Flow	15-30 GPM
Output Shaft Size	2-1/2 in Hex	Max. Continuous PSI	3000 PSI
Max. Dia. Dirt/Rock	48 in/48 in	Max. Intermittent PSI	3500 PSI

SPEED OUTPUT*	
15 GPM	13 RPM
20 GPM	18 RPM
25 GPM	22 RPM
30 GPM	26 RPM

TORQUE OUTPUT*	
2000 PSI	6981 ft. lbs.
2500 PSI	8726 ft. lbs.
3000 PSI	10471 ft. lbs.
3500 PSI	12216 ft. lbs.

113077 Includes:

- Auger drive only. Attachment platform & hose kit not included.

113094 Includes:

- HTLS-10K Hydraulic Auger Drive (113077)
- Belltec Universal Skid-steer Mount (QT100)
- 1/2" x 96" Hose Kit with Faster Flat Face Couplings (111385)

*All values are theoretical. Actual performance may vary.



EQUIPMENT MOUNTS



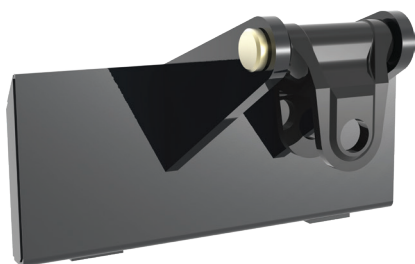
TH-100

\$4035

Telescoping Universal Skid-steer Mount

th100

The TH-100 Telescoping Universal Skid-steer Mount quickly interfaces Belltec hydraulic auger drives with equipment that utilizes a universal skid-steer mount. The telescoping boom facilitates the use of longer auger bits or extensions, and it improves the operator's visibility by extending the drive out an additional 65 or 102 inches away from the cab.



QT-200

\$425

Universal Mini Skid-steer Mount

qt200

The QT-200 Universal Mini Skid-steer Mount quickly interfaces Belltec hydraulic auger drives with equipment that utilizes a universal mini skid-steer mount such as modern mini skid-steer loaders. The QT-200 features a center-mounted swivel and cradle.



QT-100

\$610

Universal Skid-steer Mount

qt100

The QT-100 Universal Skid-steer Mount quickly interfaces Belltec hydraulic auger drives with equipment that utilizes a universal skid-steer mount such as modern skid-steer loaders, track loaders, telehandlers, or tractors. The QT-100 features a center-mounted swivel and cradle.



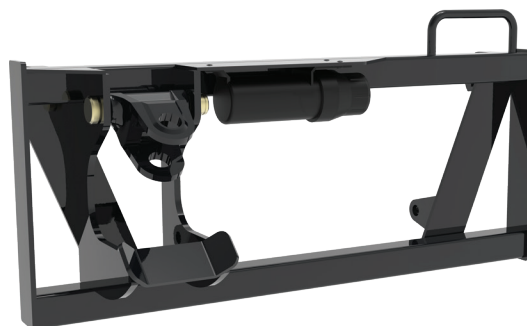
QT-101

\$610

Offset Universal Skid-steer Mount

qt101

The QT-101 Offset Universal Skid-steer Mount quickly interfaces Belltec hydraulic auger drives with equipment that utilizes a universal skid-steer mount such as modern skid-steer loaders, track loaders, telehandlers, or tractors. The QT-101 features a right-hand mounted swivel and cradle to improve the operator's visibility.



QT-103

\$745

Offset Euro/Global Mount

qt103

The QT-103 Offset Euro/Global Skid-steer Mount quickly interfaces Belltec hydraulic auger drives with equipment that utilizes a euro/global skid-steer mount such as modern skid-steer loaders, track loaders, telehandlers, or tractors. The QT-103 features a right-hand mounted swivel and cradle to improve the operator's visibility.



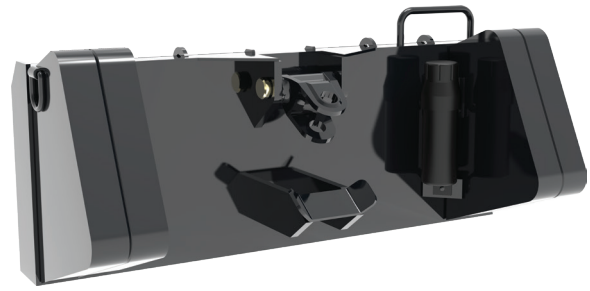
QT-108

\$745

Offset John Deere Mount

qt108

The QT-108 Offset John Deere Mount quickly interfaces Belltec hydraulic auger drives with John Deere compact track loaders, skid-steer loaders, tractor loaders, and wheel loaders (200 to 500 series models). The QT-108 features a right-hand mounted swivel and cradle to improve the operator's visibility.



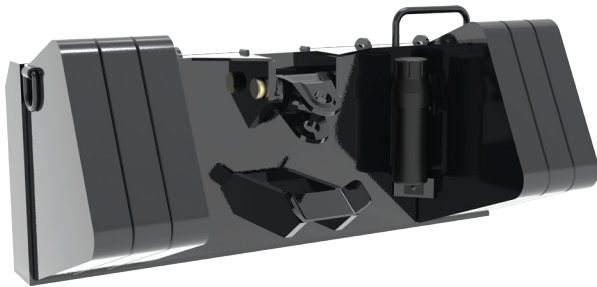
QT-1400

\$5425

Ballasted Universal Skid-steer Mount

qt1400

The QT-1400 Ballasted Skid-steer Mount quickly interfaces Belltec hydraulic auger drives with equipment that utilizes a universal skid-steer mount. The QT-1400 is ballasted to 1400 lbs to increase down pressure and dramatically improve drilling efficiency.



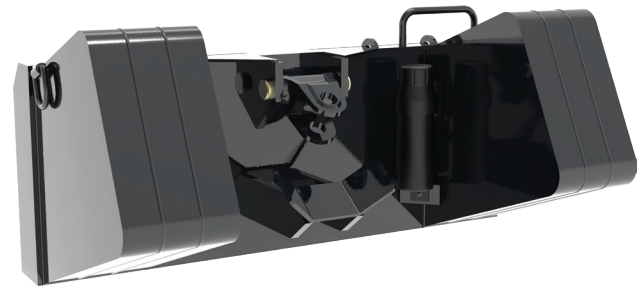
QT-1900

\$7190

Ballasted Universal Skid-steer Mount

qt1900

The QT-1900 Ballasted Skid-steer Mount quickly interfaces Belltec hydraulic auger drives with equipment that utilizes a universal skid-steer mount. The QT-1900 is ballasted to 1900 lbs to increase down pressure and dramatically improve drilling efficiency.



QT-2400

\$8955

Ballasted Universal Skid-steer Mount

qt2400

The QT-2400 Ballasted Universal Skid-steer Mount quickly interfaces Belltec hydraulic auger drives with equipment that utilizes a universal skid-steer mount. The QT-2400 is ballasted to 2400 lbs to increase down pressure and dramatically improve drilling efficiency.



QH-100

\$445

Universal Weld-on Mount

qh100

When welded onto the proper backhoe or excavator quick-attach blank, the QH-100 Universal Weld-on Mount quickly interfaces Belltec hydraulic auger drives with any backhoe or excavator. Professional installation is recommended. Quick-attach blank is not included.



LB-410

\$405

Loader Bucket Mount

lb410

The LB-410 Loader Bucket Mount enables operators to install a Belltec hydraulic auger drive on tractors with a non-detachable loader bucket. The LB-410 welds or bolts directly to the side of the loader bucket to improve the operator's visibility and does not disrupt normal loader bucket operations. Professional installation is recommended.



CUSTOM-BUILT SWIVEL MOUNTS

For Backhoe, Excavators, and Compact Excavators

Custom-built swivel mounts are available for most makes and models. To order a custom-built swivel mount for your equipment, contact a Belltec sales representative, and provide the following information:

Equipment Make and Model, Pin Diameter, Dipper Stick Width

\$610 - Mounts with less than 3in diameter pin

\$880 - Mounts with 3in diameter pin or larger



HOSE KIT

\$220

1/2-in x 96-in Hose Kit with 10MB Hose Fittings

111383

This hydraulic hose kit includes two 1/2-in x 96-in hydraulic hoses fitted with 10MB hose fittings, constructed with seamless heat and oil resistant synthetic rubber tubing, and wrapped with an abrasion and weather-resistant nylon cover. Each hose is reinforced with two braids of high tensile steel wire and has a working pressure of 4000 psi.



HOSE KIT

\$307

1/2-in x 96-in Hose Kit with Flat-Face Couplings

111385

This hydraulic hose kit includes two 1/2-in x 96-in hydraulic hoses fitted with Faster Flat-Face Couplings, constructed with seamless heat and oil resistant synthetic rubber tubing, and wrapped with an abrasion and weather-resistant nylon cover. Each hose is reinforced with two braids of high tensile steel wire and has a working pressure of 4000 psi.



HOSE KIT

\$485

1/2-in x 25-ft Hose Kit for Tractor Loader

111381

This hydraulic hose kit includes two 1/2-in x 25-ft hydraulic hoses fitted with Pioneer style couplings, constructed with seamless heat and oil resistant synthetic rubber tubing, and wrapped with an abrasion and weather-resistant nylon cover. Each hose is reinforced with two braids of high tensile steel wire and has a working pressure of 4000 psi.



COUPLING

\$100

Faster Flat Face Coupling - Male

111387

Faster Flat-Face Couplings enable the operator to connect or disconnect attachment platforms quickly. These couplings offer a real maximum working pressure of 35 MPa and feature zinc-nickel plating. The flat valve shut-off system minimizes the risk of contamination and spillage.



COUPLING

\$145

Faster Flat Face Coupling - Female

111386

Faster Flat-Face Couplings enable the operator to connect or disconnect attachment platforms quickly. These couplings offer a real maximum working pressure of 35 MPa and feature zinc-nickel plating. The flat valve shut-off system minimizes the risk of contamination and spillage.

AUGER EXTENSIONS & DRIVE ADAPTORS



2-IN HEX FIXED-LENGTH EXTENSION		
Length	List Price	Part No.
24	\$265	EH200024F
36	\$330	EH200036F
48	\$395	EH200048F
60	\$470	EH200060F
72	\$505	EH200072F



2-IN ROUND FIXED-LENGTH EXTENSION		
Length	List Price	Part No.
24	\$215	ER200024F
36	\$255	ER200036F
48	\$290	ER200048F



2.5-IN ROUND FIXED-LENGTH EXTENSION		
Length	List Price	Part No.
24	\$255	ER250024F
36	\$270	ER250036F
48	\$340	ER250048F
60	\$385	ER250060F
72	\$495	ER250072F



2-IN HEX VARIABLE-LENGTH EXTENSION		
Length	List Price	Part No.
24	\$305	EH200024
36	\$365	EH200036
48	\$435	EH200048
60	\$515	EH200060
72	\$580	EH200072



2-IN ROUND VARIABLE-LENGTH EXTENSION		
Length	List Price	Part No.
24	\$225	ER200024
36	\$255	ER200036
48	\$285	ER200048



2.5-IN ROUND VARIABLE-LENGTH EXTENSION		
Length	List Price	Part No.
24	\$305	ER250024
36	\$350	ER250036
48	\$385	ER250048



2-IN HEX HD TUBULAR EXTENSION		
Length	List Price	Part No.
24	\$450	EHHD200024
36	\$550	EHHD200036
48	\$585	EHHD200048
60	\$630	EHHD200060
72	\$675	EHHD200072
84	\$725	EHHD200084
96	\$820	EHHD200096
120	\$870	EHHD200120
144	\$920	EHHD200144



DRIVE SHAFT ADAPTORS		
List Price	Description	Part No.
\$245	2-in Hex Female to 2-in Round Male	AH200R200
\$275	2-in Hex Female to 2.5-in Round Male	AH200R250
\$265	2-in Hex Female to 2.5-in Round Male with 1/2-in Bolt Hole	AH200R250D
\$365	2-in Hex Female to 2-in Square Male	AH200SQ200
\$585	2.5-in Hex Female to 2-in Hex Male with Shearbolt Protection	AH250H200
\$225	2-in Round Male to 2.5-in Round Male	AR200R250
\$225	2-in Round Female to 2-in Hex Male	AR200H200
\$240	2.5-in Round Female to 2-in Round Male	AR256R200
\$240	2.5-in Round Female to 2-in Hex Male	AR256H200
\$585	2.5-in Hex Female to 2-in Hex Male with welded coupler	AH250H200WC

BELLTEC™ AUGER SOLUTIONS

Belltec offers the most comprehensive line of high-performance augers on the market to maximize performance in any drilling application or environment, and each Belltec auger is standard-built with first-rate components for added quality and value.

- Built with a premium A500 structural steel stem
- Features our patented AugerGuard™ Coupling
- Top-to-bottom heavy-duty flighting
- Boring heads, pilots, and teeth are cast with premium alloy steel and undergo an advanced heat-treatment process

To find an auger's price and part number:

1. Select the auger drive's output shaft type.

2. Select bore diameter.

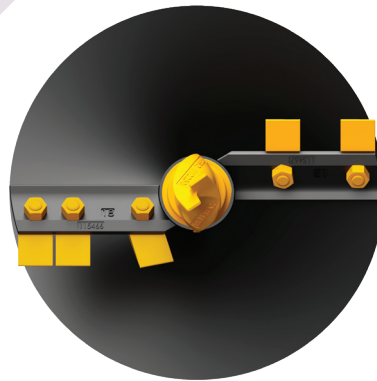
48-INCH OAL SEMI-DOUBLE FLIGHT STANDARD DIRT TEETH				
Diameter	List Price	2-in Round	2.5-in Round	2-in Hex
6	\$380	A06061A	A06061B	A06061C
9	\$525	A09061A	A09061B	A09061C

Note: most Belltec auger drives utilize a 2-in hex output shaft.

DCA-SERIES

DCA-Series Augers are a cost-effective solution for drilling in displaceable soils like sand, silt, or clay. DCA augers feature a hardened cast boring head to withstand the demands of repeated use.

- Bolt-on tooth design for a secure fit
- Options available in diameters from 4.5-in to 36-in
- Available in 48-in or 54-in overall lengths
- Available in semi-double or double flight designs
- Built with 5/16-in flighting and a 3.5-in diameter pilot



48-INCH OAL SEMI-DOUBLE FLIGHT STANDARD DIRT TEETH				
Diameter	List Price	2-in Round	2.5-in Round	2-in Hex
6	\$380	A06061A	A06061B	A06061C
9	\$525	A09061A	A09061B	A09061C
12	\$590	A12061A	A12061B	A12061C
15	\$780	A15061A	A15061B	A15061C
18	\$855	A18061A	A18061B	A18061C
24	\$995	A24061A	A24061B	A24061C

48-INCH OAL DOUBLE FLIGHT STANDARD DIRT TEETH				
Diameter	List Price	2-in Round	2.5-in Round	2-in Hex
9	\$545	A09060A	A09060B	A09060C
12	\$625	A12060A	A12060B	A12060C
15	\$845	A15060A	A15060B	A15060C
18	\$1000	A18060A	A18060B	A18060C
24	\$1230	A24060A	A24060B	A24060C
30	\$1670	A30060A	A30060B	A30060C
36	\$2015	A36060A	A36060B	A36060C

54-INCH OAL SEMI-DOUBLE FLIGHT STANDARD DIRT TEETH				
Diameter	List Price	2-in Round	2.5-in Round	2-in Hex
9	\$525	A09063A	A09063B	A09063C
12	\$585	A12063A	A12063B	A12063C
15	\$815	A15063A	A15063B	A15063C
18	\$955	A18063A	A18063B	A18063C
24	\$1170	A24063A	A24063B	A24063C

54-INCH OAL DOUBLE FLIGHT STANDARD DIRT TEETH				
Diameter	List Price	2-in Round	2.5-in Round	2-in Hex
9	\$535	A09062A	A09062B	A09062C
12	\$610	A12062A	A12062B	A12062C
15	\$800	A15062A	A15062B	A15062C
18	\$940	A18062A	A18062B	A18062C
24	\$1140	A24062A	A24062B	A24062C
30	\$1520	A30062A	A30062B	A30062C
36	\$1835	A36062A	A36062B	A36062C

SDA-SERIES

SDA-Series Augers are reliable, all-around tools for routine drilling in displaceable soils and fractured rock. The improved boring head design and hefty 4.5-inch pilot offer enhanced long-term performance and durability.

- Drive-in tooth design for quick servicing
- Options available in diameters from 4.5 to 36 inches
- Available in 48-in or 54-in overall lengths
- Available in single or double flight designs
- Built with 5/16-in flighting



48-INCH OAL SINGLE FLIGHT STANDARD DIRT TEETH				
Diameter	List Price	2-in Round	2.5-in Round	2-in Hex
4.5	\$370	A04531A	A04531B	A04531C
6	\$500	A06031A	A06031B	A06031C
8	\$555	A08031A	A08031B	A08031C
9	\$560	A09031A	A09031B	A09031C
10	\$630	A10031A	A10031B	A10031C
12	\$655	A12031A	A12031B	A12031C
15	\$850	A15031A	A15031B	A15031C
18	\$1030	A18031A	A18031B	A18031C
20	\$1045	A20031A	A20031B	A20031C
24	\$1230	A24031A	A24031B	A24031C
30	\$1660	A30031A	A30031B	A30031C
36	\$2055	A36031A	A36031B	A36031C

48-INCH OAL SINGLE FLIGHT TUNGSTEN CARBIDE DIRT TEETH				
Diameter	List Price	2-in Round	2.5-in Round	2-in Hex
6	\$600	A06033A	A06033B	A06033C
8	\$660	A08033A	A08033B	A08033C
9	\$665	A09033A	A09033B	A09033C
10	\$750	A10033A	A10033B	A10033C
12	\$785	A12033A	A12033B	A12033C
15	\$1010	A15033A	A15033B	A15033C
18	\$1225	A18033A	A18033B	A18033C
20	\$1310	A20033A	A20033B	A20033C
24	\$1465	A24033A	A24033B	A24033C
30	\$1970	A30033A	A30033B	A30033C
36	\$2445	A36033A	A36033B	A36033C

48-INCH OAL DOUBLE FLIGHT STANDARD DIRT TEETH				
Diameter	List Price	2-in Round	2.5-in Round	2-in Hex
8	\$745	A08011A	A08011B	A08011C
9	\$760	A09011A	A09011B	A09011C
10	\$805	A10011A	A10011B	A10011C
12	\$830	A12011A	A12011B	A12011C
15	\$1020	A15011A	A15011B	A15011C
18	\$1245	A18011A	A18011B	A18011C
20	\$1330	A20011A	A20011B	A20011C
24	\$1805	A24011A	A24011B	A24011C
30	\$2225	A30011A	A30011B	A30011C
36	\$2400	A36011A	A36011B	A36011C

48-INCH OAL DOUBLE FLIGHT TUNGSTEN CARBIDE DIRT TEETH				
Diameter	List Price	2-in Round	2.5-in Round	2-in Hex
8	\$865	A08015A	A08015B	A08015C
9	\$875	A09015A	A09015B	A09015C
10	\$925	A10015A	A10015B	A10015C
12	\$955	A12015A	A12015B	A12015C
15	\$1170	A15015A	A15015B	A15015C
18	\$1435	A18015A	A18015B	A18015C
20	\$1660	A20015A	A20015B	A20015C
24	\$2080	A24015A	A24015B	A24015C
30	\$2565	A30015A	A30015B	A30015C
36	\$2770	A36015A	A36015B	A36015C

54-INCH OAL SINGLE FLIGHT STANDARD DIRT TEETH				
Diameter	List Price	2-in Round	2.5-in Round	2-in Hex
4.5	\$370	A04530A	A04530B	A04530C
6	\$405	A06030A	A06030B	A06030C
8	\$555	A08030A	A08030B	A08030C
9	\$560	A09030A	A09030B	A09030C
10	\$625	A10030A	A10030B	A10030C
12	\$655	A12030A	A12030B	A12030C

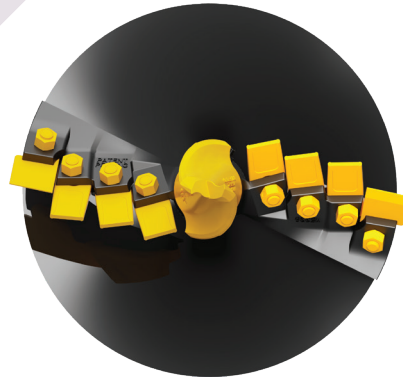
54-INCH OAL SINGLE FLIGHT STANDARD DIRT TEETH				
Diameter	List Price	2-in Round	2.5-in Round	2-in Hex
15	\$830	A15030A	A15030B	A15030C
18	\$1015	A18030A	A18030B	A18030C
20	\$1100	A20030A	A20030B	A20030C
24	\$1200	A24030A	A24030B	A24030C
30	\$1605	A30030A	A30030B	A30030C
36	\$1975	A36030A	A36030B	A36030C

Continued »

BHD-SERIES

BHD-Series Augers free you to focus on the big picture. The 4.5-in pilot and patented, severe-duty boring head minimize hang-ups in the hardest displaceable soils by powering through gravel, cobble, or fractured rock.

- Bolt-on tooth design for a secure fit
- Options available in diameters from 6 to 48 inches
- Available in 48-in or 54-in overall lengths
- Available in single or double flight designs
- Built with 5/16-in flighting



48-INCH OAL SINGLE FLIGHT STANDARD DIRT TEETH				
Diameter	List Price	2-in Round	2.5-in Round	2-in Hex
6	\$570	A06036A	A06036B	A06036C
8	\$615	A08036A	A08036B	A08036C
9	\$630	A09036A	A09036B	A09036C
10	\$670	A10036A	A10036B	A10036C
12	\$755	A12036A	A12036B	A12036C
15	\$855	A15036A	A15036B	A15036C
18	\$1140	A18036A	A18036B	A18036C
20	\$1425	A20036A	A20036B	A20036C
24	\$1705	A24036A	A24036B	A24036C
30	\$2150	A30036A	A30036B	A30036C
36	\$2495	A36036A	A36036B	A36036C
42	\$4195	A42036A	A42036B	A42036C
48	\$4395	A48036A	A48036B	A48036C

48-INCH OAL SINGLE FLIGHT TUNGSTEN CARBIDE DIRT TEETH				
Diameter	List Price	2-in Round	2.5-in Round	2-in Hex
6	\$690	A06037A	A06037B	A06037C
8	\$865	A08037A	A08037B	A08037C
9	\$875	A09037A	A09037B	A09037C
10	\$930	A10037A	A10037B	A10037C
12	\$1030	A12037A	A12037B	A12037C
15	\$1175	A15037A	A15037B	A15037C
18	\$1495	A18037A	A18037B	A18037C
20	\$2005	A20037A	A20037B	A20037C
24	\$2180	A24037A	A24037B	A24037C
30	\$2715	A30037A	A30037B	A30037C
36	\$2915	A36037A	A36037B	A36037C
42	\$4570	A42037A	A42037B	A42037C
48	\$5015	A48037A	A48037B	A48037C

48-INCH OAL DOUBLE FLIGHT STANDARD DIRT TEETH				
Diameter	List Price	2-in Round	2.5-in Round	2-in Hex
8	\$745	A08038A	A08038B	A08038C
9	\$770	A09038A	A09038B	A09038C
10	\$830	A10038A	A10038B	A10038C
12	\$875	A12038A	A12038B	A12038C
15	\$1035	A15038A	A15038B	A15038C
18	\$1295	A18038A	A18038B	A18038C
20	\$1800	A20038A	A20038B	A20038C
24	\$1795	A24038A	A24038B	A24038C
30	\$2315	A30038A	A30038B	A30038C
36	\$2585	A36038A	A36038B	A36038C
42	\$4050	A42038A	A42038B	A42038C
48	\$4360	A48038A	A48038B	A48038C

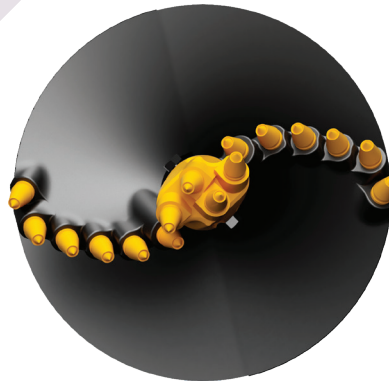
48-INCH OAL DOUBLE FLIGHT TUNGSTEN CARBIDE DIRT TEETH				
Diameter	List Price	2-in Round	2.5-in Round	2-in Hex
8	\$885	A08039A	A08039B	A08039C
9	\$920	A09039A	A09039B	A09039C
10	\$985	A10039A	A10039B	A10039C
12	\$1040	A12039A	A12039B	A12039C
15	\$1285	A15039A	A15039B	A15039C
18	\$1575	A18039A	A18039B	A18039C
20	\$1995	A20039A	A20039B	A20039C
24	\$2100	A24039A	A24039B	A24039C
30	\$2800	A30039A	A30039B	A30039C
36	\$2960	A36039A	A36039B	A36039C
42	\$4830	A42039A	A42039B	A42039C
48	\$5290	A48039A	A48039B	A48039C

BULLET SERIES

Bullet Series Augers are specialized at cutting through tough cobble, boulders, fractured, or solid rock. The advanced, rock-crushing boring head design utilizes C1HD Plus™ Bullet Teeth arranged at optimal cutting angles.

- Outfitted with C1HD Plus™ Bullet Teeth
- Convenient wear indicator strips on boring head*
- Reinforced 3/4-in boring head flight*
- Options available in diameters from 4.5 to 36 inches
- Built with 5/16-in flighting and a 5-in diameter pilot

*Feature may not be available on augers with a 6-in diameter or smaller.



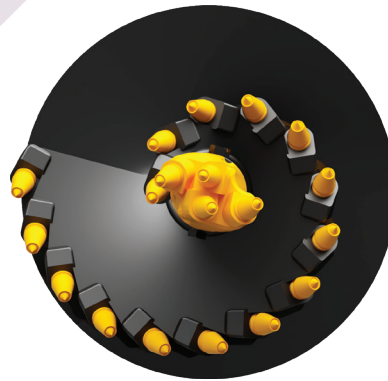
48-INCH OAL SINGLE FLIGHT TUNGSTEN CARBIDE BULLET TEETH				
Diameter	List Price	2-in Round	2.5-in Round	2-in Hex
4.5	\$1060	A04518A	A04518B	A04518C
6	\$1185	A06018A	A06018B	A06018C
8	\$1220	A08005A	A08005B	A08005C
9	\$1455	A09005A	A09005B	A09005C
10	\$1605	A10005A	A10005B	A10005C
12	\$1620	A12005A	A12005B	A12005C
15	\$2520	A15005A	A15005B	A15005C
18	\$2725	A18005A	A18005B	A18005C
24	\$3345	A24005A	A24005B	A24005C
30	\$3695	A30005A	A30005B	A30005C
36	\$4350	A36005A	A36005B	A36005C

48-INCH OAL DOUBLE FLIGHT TUNGSTEN CARBIDE BULLET TEETH				
Diameter	List Price	2-in Round	2.5-in Round	2-in Hex
8	\$1730	A08008A	A08008B	A08008C
9	\$1750	A09008A	A09008B	A09008C
10	\$1860	A10008A	A10008B	A10008C
12	\$2155	A12008A	A12008B	A12008C
15	\$2765	A15008A	A15008B	A15008C
18	\$2885	A18008A	A18008B	A18008C
24	\$3570	A24008A	A24008B	A24008C
30	\$3975	A30008A	A30008B	A30008C
36	\$4530	A36008A	A36008B	A36008C

SPIRAL SERIES

Spiral Series Augers will increase your productivity when you face hard ground. Its earth-grinding conical design and aggressive arrangement of C1HD Plus™ Bullet Teeth will pulverize concrete, fracturable, and solid rock.

- Ultra-performance, hand-laid boring head
- Continuous Stooddy 121-G hardfacing
- Continuous 5/8-in thick flighting
- Options available in diameters from 9 to 36 inches
- Built with 5-in diameter pilot



48-INCH OAL SINGLE FLIGHT TUNGSTEN CARBIDE BULLET TEETH				
Diameter	List Price	2-in Round	2.5-in Round	2-in Hex
9	\$1865	A09040A	A09040B	A09040C
12	\$2495	A12040A	A12040B	A12040C
15	\$3035	A15040A	A15040B	A15040C
18	\$3295	A18040A	A18040B	A18040C
24	\$4195	A24040A	A24040B	A24040C
30	\$5100	A30040A	A30040B	A30040C
36	\$6120	A36040A	A36040B	A36040C



MORE DRILLING, LESS MAINTENANCE

Bullet Series and Spiral Series augers now equip the all-new C1HD Plus™ Bullet Teeth, which have more carbide and last longer than ever before.

SPECIALTY

Tree and Shrub Augers - A variant of DCA-Series Augers, Belltec Tree and Shrub Augers are a cost-effective solution for mechanically digging holes to plant trees or shrubs. Options are available in diameters from 18 to 48 inches.

48-INCH OAL DOUBLE FLIGHT STANDARD DIRT TEETH				
Diameter	List Price	2-in Round	2.5-in Round	2-in Hex
18	\$995	A09027A	A09027B	A09027C
24	\$1035	A12027A	A12027B	A12027C
30	\$1465	A15027A	A15027B	A15027C
36	\$1715	A18027A	A18027B	A18027C
42	\$2300	A20027A	A20027B	A20027C
48	\$2915	A24027A	A24027B	A24027C

Belltec Puff Augers - Belltec Puff Augers are specially designed to bore holes into hard ground for installing T-posts. Belltec Puff Augers feature a 1-5/8 inch solid steel shaft and a replaceable 2-in carbide head that efficiently cuts through hard dirt and rock.

48-INCH OAL 2-INCH TUNGSTEN CARBIDE PUFF AUGER				
Diameter	List Price	2-in Round	2.5-in Round	2-in Hex
2	\$545	A02005A	A02005B	A02005C



PRICING GUIDE

To price a hydraulic drive unit:

- Select a drive unit or kit (pp. 2-5) \$ _____
- Select an equipment mount (pp. 6-8) \$ _____
- Select a hose kit (p. 8) \$ _____
- Select an auger (pp. 10-14) \$ _____
- Select an extension or adapter (p. 9) \$ _____
- Freight \$ _____
- Total \$ _____

Freight estimate to NW states \$400
or \$150 for just a single auger

To price a TM-48 Belltec Digger:

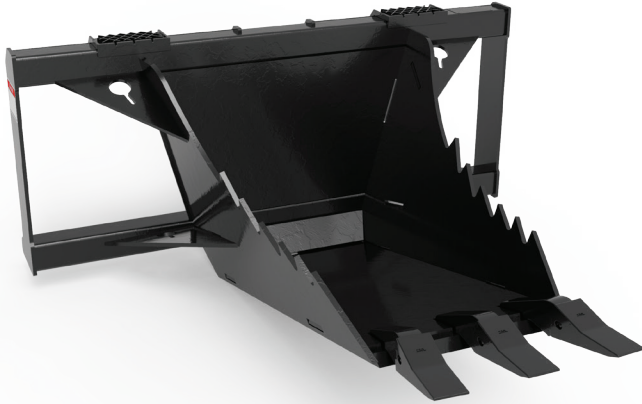
- Select a TM-48 model (p. 15) \$ _____
- Select an auger (p. 15) \$ _____
- Freight \$ _____
- Total \$ _____

Freight estimate to NW states \$800



BELLTEC™ STUMP BUCKETS

Belltec Stump Buckets are the fastest way to remove tree stumps, boulders, and haul away debris effortlessly by transforming your skid-steer or compact track loader into a powerful digger. Built with heavy-duty materials and engineered to perform, Belltec stump buckets are available in three models depending on your needs.



GENERAL PURPOSE STUMP BUCKET **\$1895**

Stump Bucket **117111**

The General Purpose Stump Bucket is the smallest model available on our lineup, which makes it ideal for moderate digging conditions like uprooting stumps, digging, and carrying smaller loads.

- Three Replaceable Excavator-Style Teeth
- 25" wide bucket tapered down to a 13.5" cutting edge
- 3/4" Serrated Side Plates
- 39.5" deep
- Weighs 250 lbs

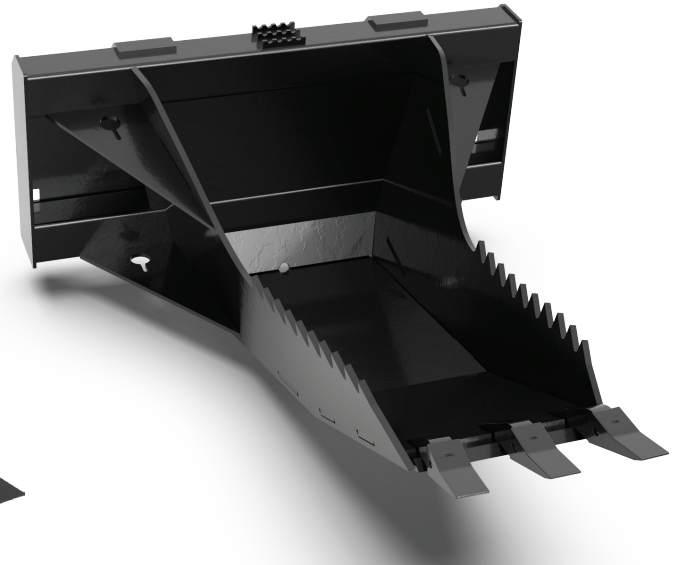


HEAVY DUTY STUMP BUCKET **\$1995**

Stump Bucket **117341**

With a longer profile and a wider bucket than the General Purpose model, the Heavy Duty Stump Bucket allows you to dig deeper and carry larger loads easily.

- Three Replaceable Excavator-Style Teeth
- 26 3/4" wide bucket tapered down to a 13.5" cutting edge
- 3/4" Serrated Steel Side Plates
- 56.5" deep
- Weighs 340 lbs



SEVERE DUTY STUMP BUCKET **\$2495**

Stump Bucket **117147**

The Severe Duty model is our most aggressive design featuring a 4" x 4" steel backplate and serrated side plates constructed out of AR400 steel so you can tackle the most challenging conditions confidently.

- Three Replaceable Excavator-Style Teeth
- 4" x 4" steel tube frame
- 3/4" AR400 Serrated Steel Side Plates
- 56.5" deep
- Weighs 500 lbs

TM-48 BELLTEC DIGGER

For over thirty years, the legendary TM-48 Belltec Digger has helped tractor owners dig post holes quickly and accurately by transforming their three-point tractors into complete drilling machines. TM-48 models are available for category 1, 2, and 3 hitch systems.



Part No.	Description	Price
TM48 HTL-C1	TM-48 (Cat. 1)	\$8015
TM48 HTL-C2	TM-48 (Cat. 2)	\$8015
TM48 HTL-C3	TM-48 (Cat. 3)	\$8145
TM48 HTL-GRS-C1	TM-48 w/Leveling Cylinders (Cat. 1)	\$9135
TM48 HTL-GRS-C2	TM-48 w/Leveling Cylinders (Cat. 2)	\$9135
TM48 HTL-GRS-C3	TM-48 w/Leveling Cylinders (Cat. 3)	\$9260
100320	Category 2 Hitch Spacer Kit	\$208

SSA-SERIES DIRT AUGERS		
Diameter	List Price	Part No.
6	\$1045	A06010
8	\$1140	A08010
9	\$1175	A09010
10	\$1185	A10010
12	\$1350	A12010
15	\$1590	A15010
18	\$1810	A18010

SPIRAL SERIES ROCK AUGERS		
Diameter	List Price	Part No.
9	\$1715	A09040
12	\$2285	A12040
15	\$2850	A15040
18	\$3420	A18040

SRA-SERIES CLUSTER HEADS		
Diameter	List Price	Part No.
6	\$1180	A06016
9	\$1365	A09016

RAD-SERIES ROCK AUGERS		
Diameter	List Price	Part No.
8	\$1695	A08006
9	\$1700	A09006
10	\$1715	A10006
12	\$2060	A12006
15	\$2290	A15006
18	\$2745	A18006

2-INCH TUNGSTEN CARBIDE PUFF AUGER		
Diameter	List Price	Part No.
2	\$490	A02005

CONTACT BELLTEC

1-800-242-9410

sales@belltec.net
www.belltec.net



LIMITED WARRANTY

Belltec General Product Limited Warranty

Every Belltec product is warranted to be free of defects in material and workmanship for a period of ONE YEAR from the original date of purchase. Certain products referenced below have more extended warranties. Should a problem develop during the one-year period, return the COMPLETE product, freight prepaid by the user, to Belltec Industries. Belltec Industries reserves the right to inspect all instances of a problem before Belltec Industries replaces the product or performs any repairs or modifications. If inspection shows the problem is caused by defective workmanship or material, Belltec Industries will (at our option) repair, modify, or replace the product without charge.

*See below for limitations and exclusions applicable to Belltec warranties



Belltec Limited 3-Year Warranty, HTLS-Series Hydraulic Auger Drive

Every Belltec HTLS-Series Hydraulic Auger Drive is warranted to be free of defects in material and workmanship for a period of THREE YEARS from the original date of purchase. Should a problem develop during the three-year period, return the COMPLETE HTLS-Series Hydraulic Auger Drive, freight prepaid by the user, to Belltec Industries. Belltec Industries reserves the right to inspect all instances of a problem before Belltec Industries replaces the product or performs any repairs or modifications. If inspection shows the problem is caused by defective workmanship or material, Belltec Industries will (at our option) repair, modify, or replace the HTLS-Series Hydraulic Auger Drive without charge.

*See below for limitations and exclusions applicable to Belltec warranties



Belltec Limited 4-Year Warranty, LC-Series Hydraulic Auger Drive

Every Belltec LC-Series Hydraulic Auger Drive is warranted to be free of defects in material and workmanship for a period of FOUR YEARS from the original date of purchase. Should a problem develop during the four-year period, return the COMPLETE LC-Series Hydraulic Auger Drive, freight prepaid by the user, to Belltec Industries. Belltec Industries reserves the right to inspect all instances of a problem before Belltec Industries replaces the product or performs any repairs or modifications. If inspection shows the problem is caused by defective workmanship or material, Belltec Industries will (at our option) repair, modify, or replace the LC-Series Hydraulic Auger Drive without charge.

*See below for limitations and exclusions applicable to Belltec warranties



Belltec Limited 5-Year Warranty, M-Series Hydraulic Auger Drive

Every Belltec M-Series Hydraulic Auger Drive is warranted to be free of defects in material and workmanship for a period of FIVE YEARS from the original date of purchase. Should a problem develop during the five-year period, return the COMPLETE M-Series Hydraulic Auger Drive, freight prepaid by the user, to Belltec Industries. Belltec Industries reserves the right to inspect all instances of a problem before Belltec Industries replaces the product or performs any repairs or modifications. If inspection shows the problem is caused by defective workmanship or material, Belltec Industries will (at our option) repair, modify, or replace the M-Series Hydraulic Auger Drive without charge.

*See below for limitations and exclusions applicable to Belltec warranties



Belltec Limited 6-Year Warranty, H-Series Hydraulic Auger Drive

Every Belltec H-Series Hydraulic Auger Drive is warranted to be free of defects in material and workmanship for a period of SIX YEARS from the original date of purchase. Should a problem develop during the six-year period, return the COMPLETE H-Series Hydraulic Auger Drive, freight prepaid by the user, to Belltec Industries. Belltec Industries reserves the right to inspect all instances of a problem before Belltec Industries replaces the product or performs any repairs or modifications. If inspection shows the problem is caused by defective workmanship or material, Belltec Industries will (at our option) repair, modify, or replace the H-Series Hydraulic Auger Drive without charge.

*See below for limitations and exclusions applicable to Belltec warranties

Belltec Warranty Limitations and Exclusions

All warranties are voided if:

- Repairs have been made or attempted by others
- Repairs are required because of normal wear and tear
- The tool has been abused, misused, improperly maintained or operated.
- Alterations have been made to the tool.

IN NO EVENT SHALL BELLTEC INDUSTRIES BE LIABLE FOR (A) ANY INDIRECT, INCIDENTAL, PUNITIVE, OR CONSEQUENTIAL DAMAGES ARISING FROM THE SALE OR USE OF THE PRODUCTS SOLD UNDER THESE WARRANTIES, OR (B) ANY AMOUNT IN EXCESS OF THE AMOUNT ACTUALLY PAID TO BELLTEC INDUSTRIES FOR THE PRODUCTS SOLD HEREUNDER. THIS LIMITATION APPLIES BOTH DURING AND AFTER THE TERMS OF THE WARRANTY.

BELLTEC INDUSTRIES DISCLAIMS ALL OTHER WARRANTIES, WHETHER EXPRESSED OR IMPLIED, INCLUDING WITHOUT LIMITATION, THE IMPLIED WARRANTIES OR "MERCHANTABILITY" AND "FITNESS FOR A SPECIFIC PURPOSE." ALL MATERIALS PROVIDED HEREUNDER ARE PROVIDED "AS IS" AND "WITH ALL FAULT."

DISCLAIMER

Belltec Industries, Inc. reserves the right to make changes or improvements on its products without incurring an additional obligation, including any obligation to make corresponding changes or improvements to products previously manufactured or sold. Belltec reserves the right to discontinue products at any time without notice.

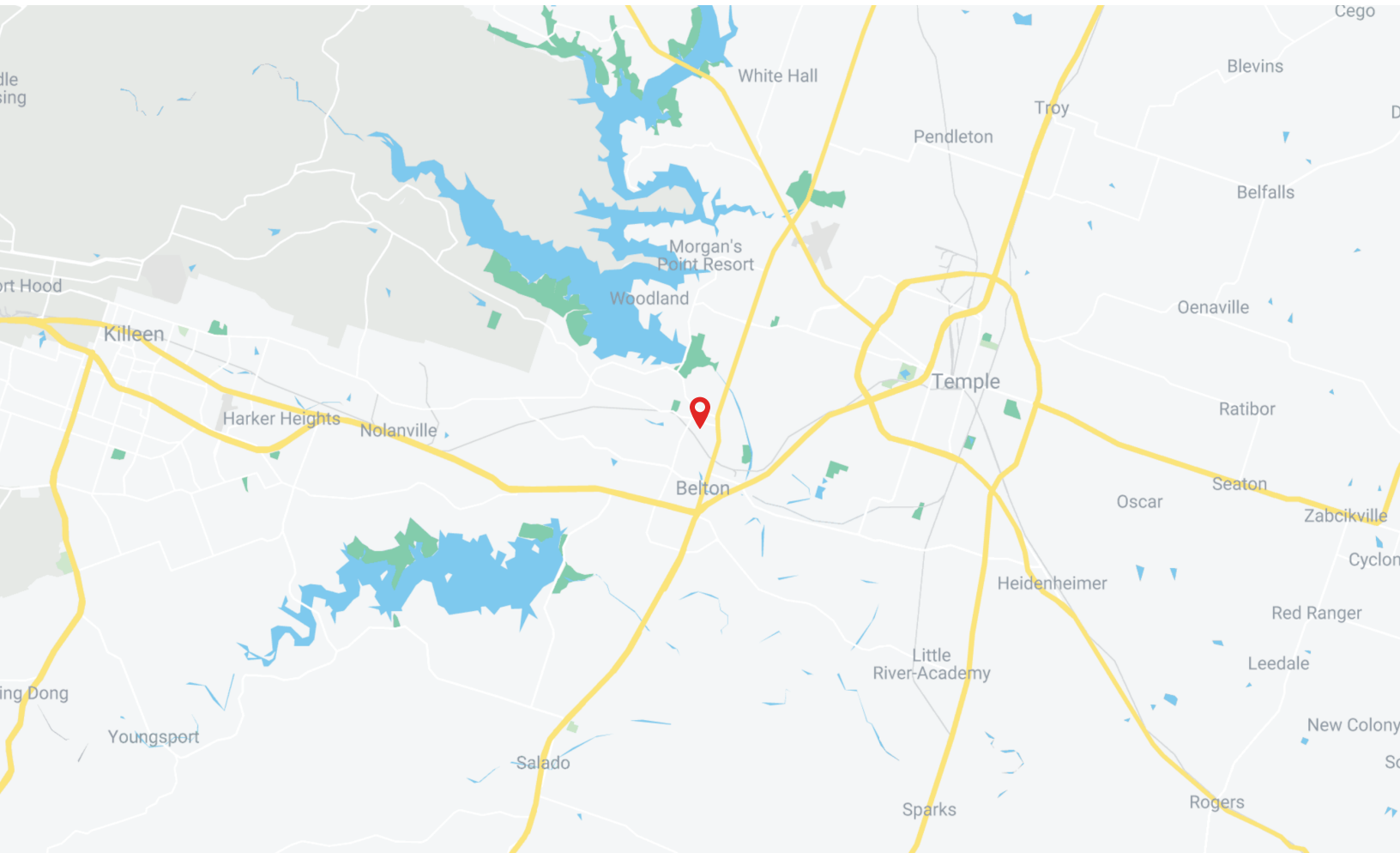
All product names, logos, and brands are the property of their respective owners. All company product names and service names used in these materials are for identification purposes only. The use of these names, logos, and brands does not imply endorsement.

All product images displayed in the catalog are the property of Belltec Industries, Inc. and shall not be duplicated or reproduced without the express written consent of Belltec Industries, Inc.

All product images shown are for illustration purposes only and may not be an exact representation of the product.



Know what's below.
Call 811 before you dig.



Distributor - Western USA
ELLIS EQUIPMENT CO
Logan UT 800-949-2336
www.ellisequipment.com

